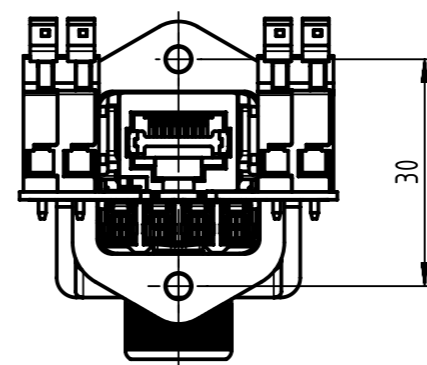
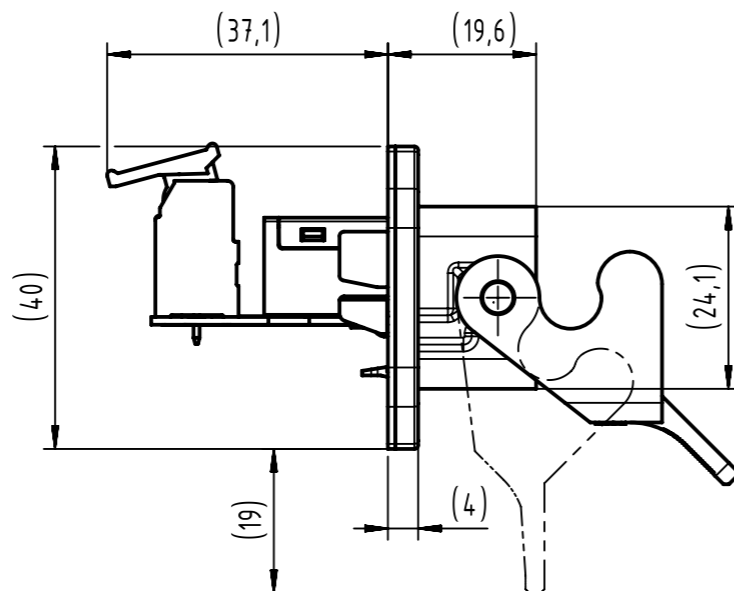
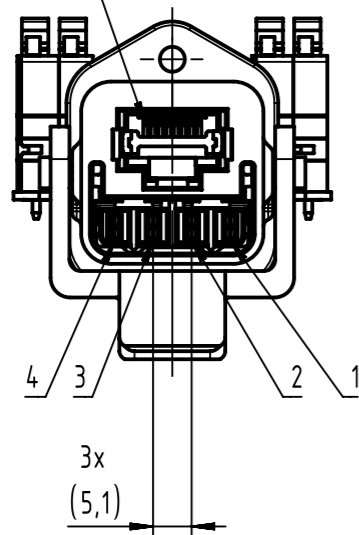


RJ45 mating face acc. to IEC 60603-7

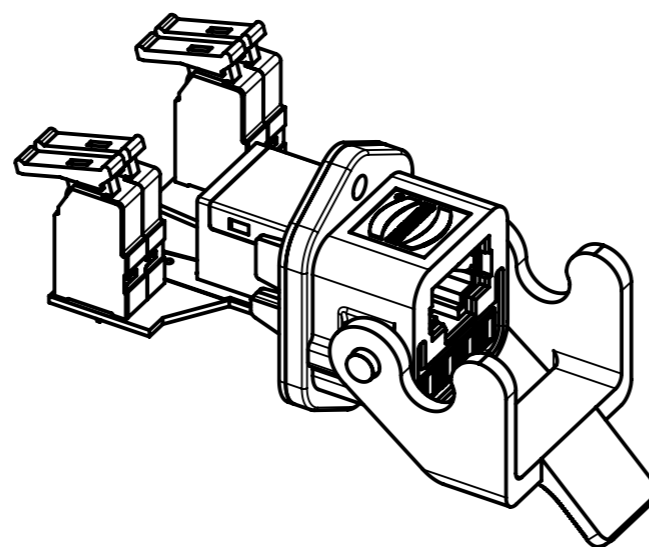
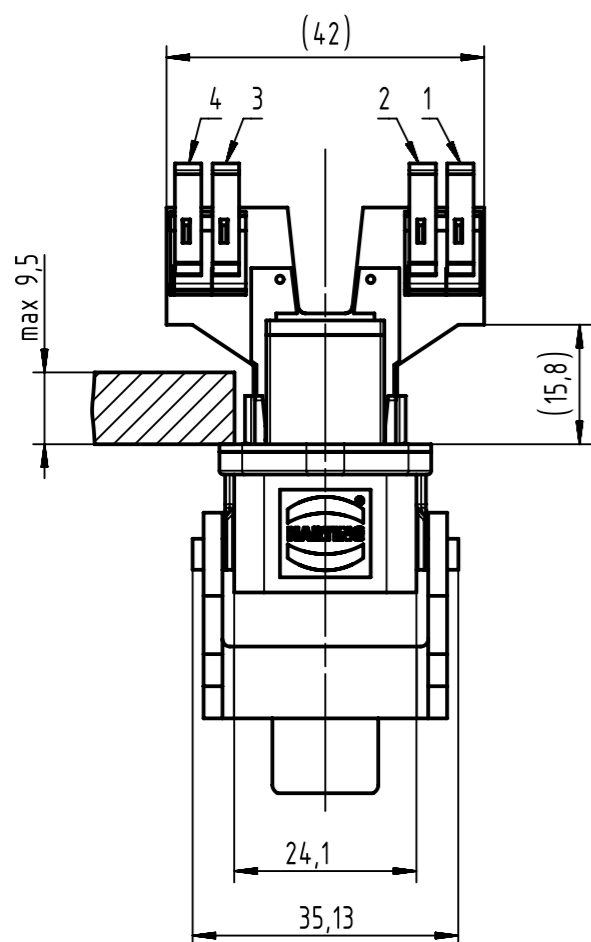


Loading-Plan RJ 45

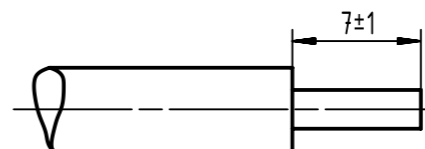
- 1 _____ 1
- 2 _____ 2
- 3 _____ 3
- 4 _____ 4
- 5 _____ 5
- 6 _____ 6
- 7 _____ 7
- 8 _____ 8

Loading-Plan 4x 16A/48V

- 1 _____ 1
- 2 _____ 2
- 3 _____ 3
- 4 _____ 4

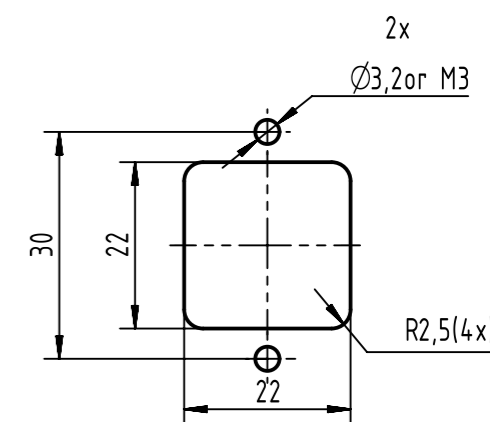


Dismantle length for the power wires



Wire diameter: 0.5 to 2.5 sqmm
Maximum current intensity: 16 A

Panel cut-out



Maximum panel thickness: 9.55 mm

	All rights reserved Department EC PD - RO	Created by DRAGHICI	Inspected by PRIESTER	Standardisation HOFFMANN	Date 2018-02-09	State Final Release	Ref. Sub.
	HARTING Electronics GmbH D-32339 Espelkamp	Title Han 3A RJ45 Hybrid Cat.6 PFT 8+4p plast.				Doc-Key / ECM-Nr. 100673601/UGD/002/E 500000129287	
		Type TB	Number 09452251760		Rev. E	Page 1/1	